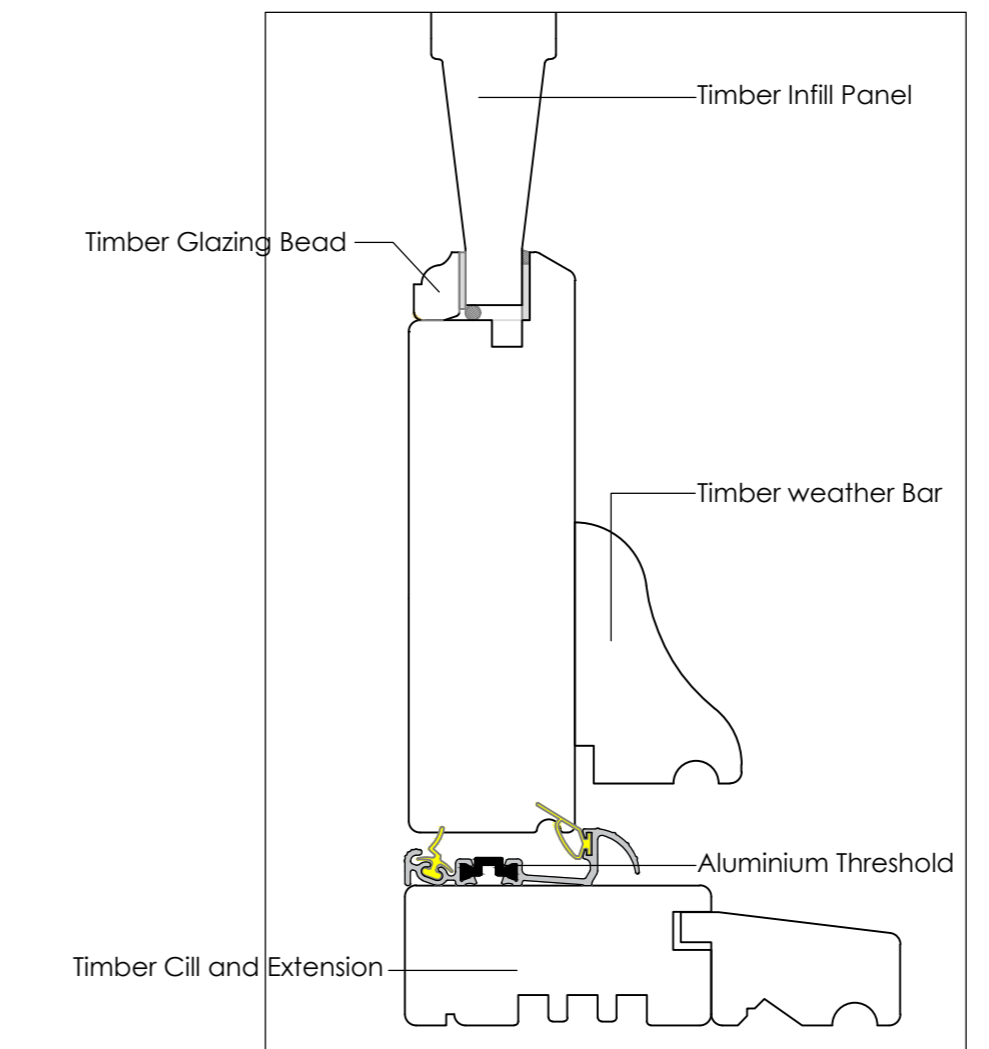
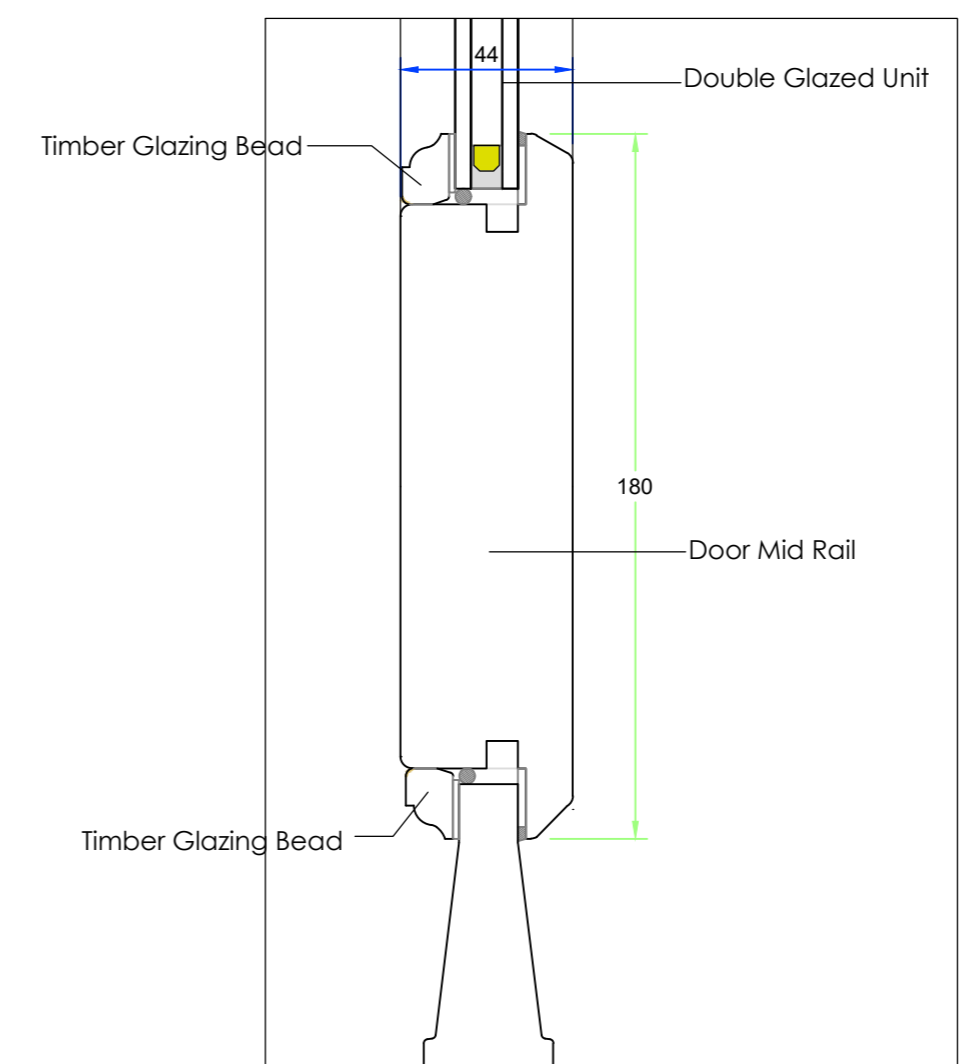
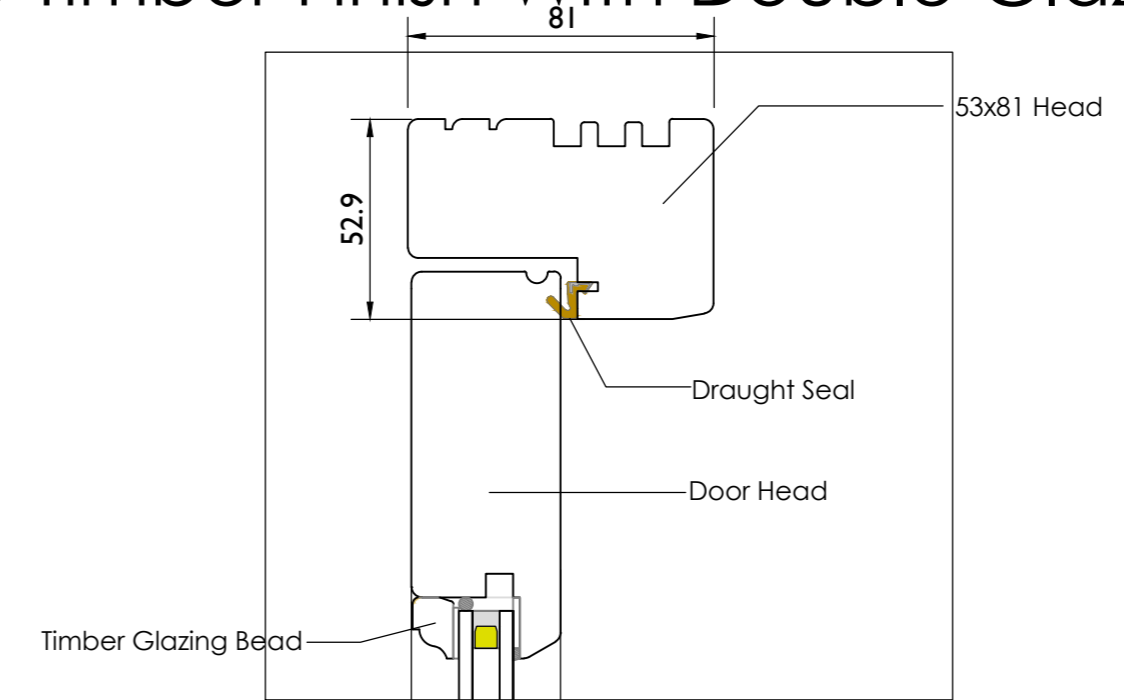
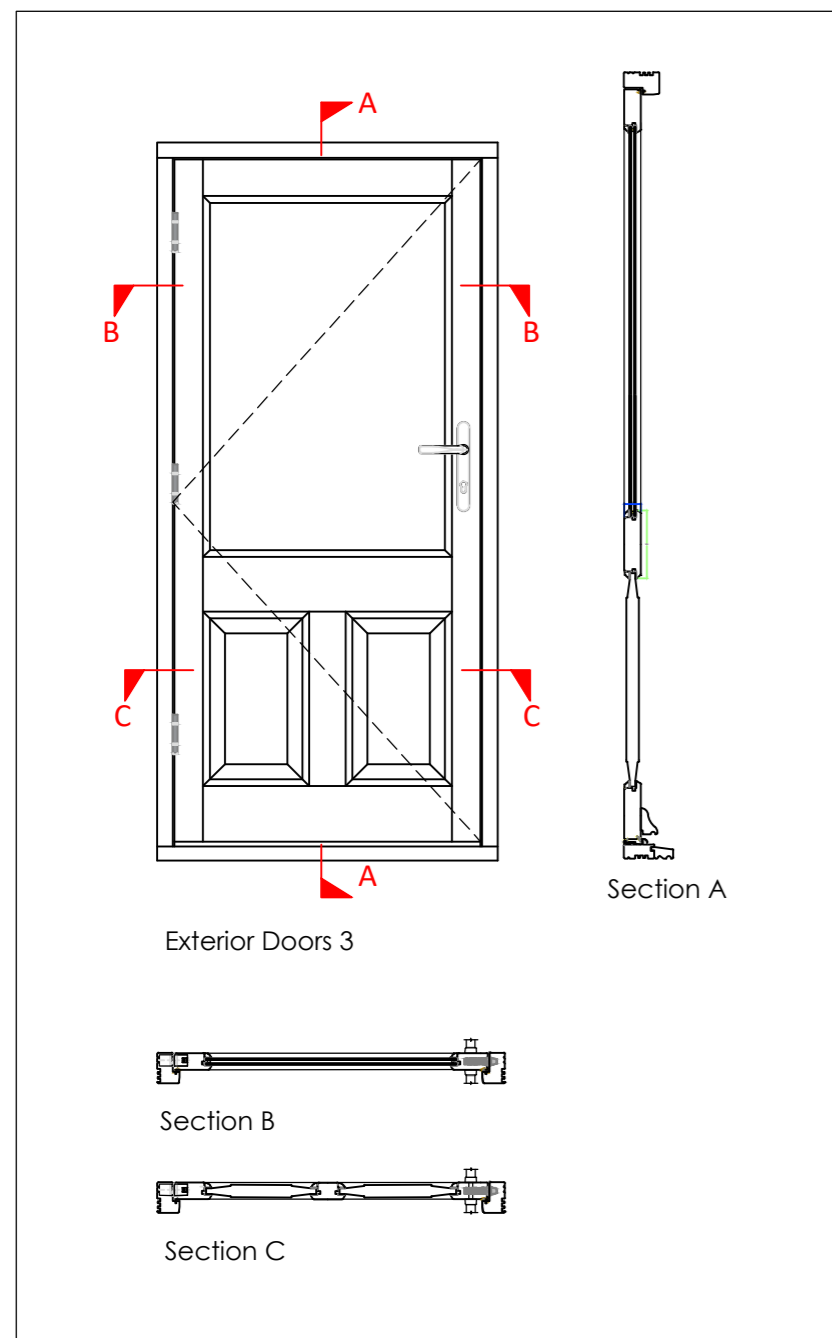
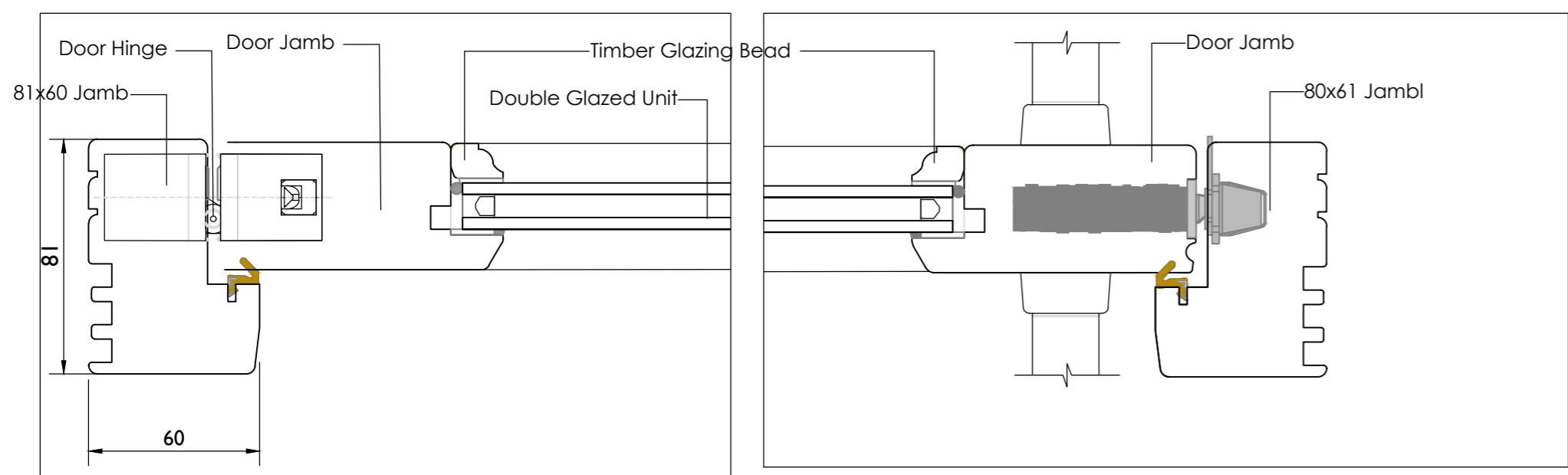


New Doors to be Timber Finish With Double Glazed Units

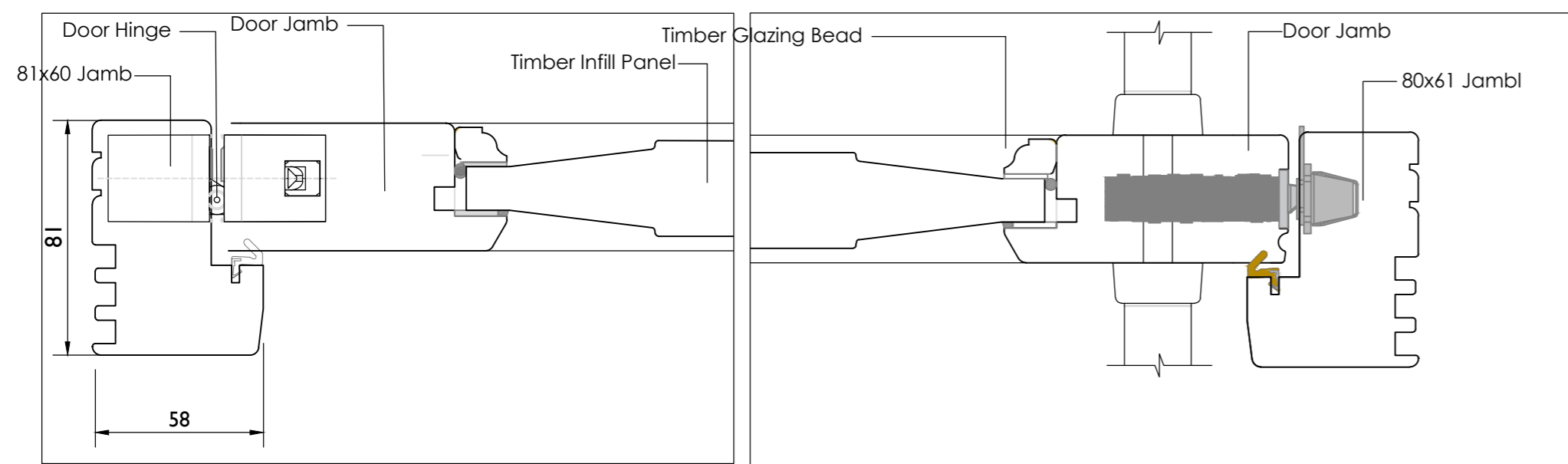
GENERAL NOTES
 © This drawing remains the copyright of PJE4design.
 DO NOT SCALE from this drawing. If in doubt ask. If you have received this drawing electronically in PDF format it may not be to the correct scale when printed, and is not to be used for measurement purposes.



SECTION A-A Typical Door Cill / Head 1:2



SECTION B-B Typical Door Jamb / Mullion 1:2



SECTION C-C Typical Door Jamb / Mullion 1:2

REV:	DESCRIPTION:	BY:	DATE:
	STATUS: Planning		

PJE4DESIGN
 2D + 3D
 Mobile : 07305 109936
 Email : PJE4Design@Gmail.com

CLIENT: Mr & Mrs Bordenave
 SITE: High Cross Hill Farm
 Wigton
 CA78NX

PROJECT: 2 + 3 Bedroom Barn Conversions

DRAWING: External Door 3 Details
 As Proposed

SCALE AT A2:	DATE:	DRAWN:	CHECKED:
1:20:1:2	Aug25	JPE	
PROJECT NO:	DRAWING NO:	REVISION:	
1221	34		